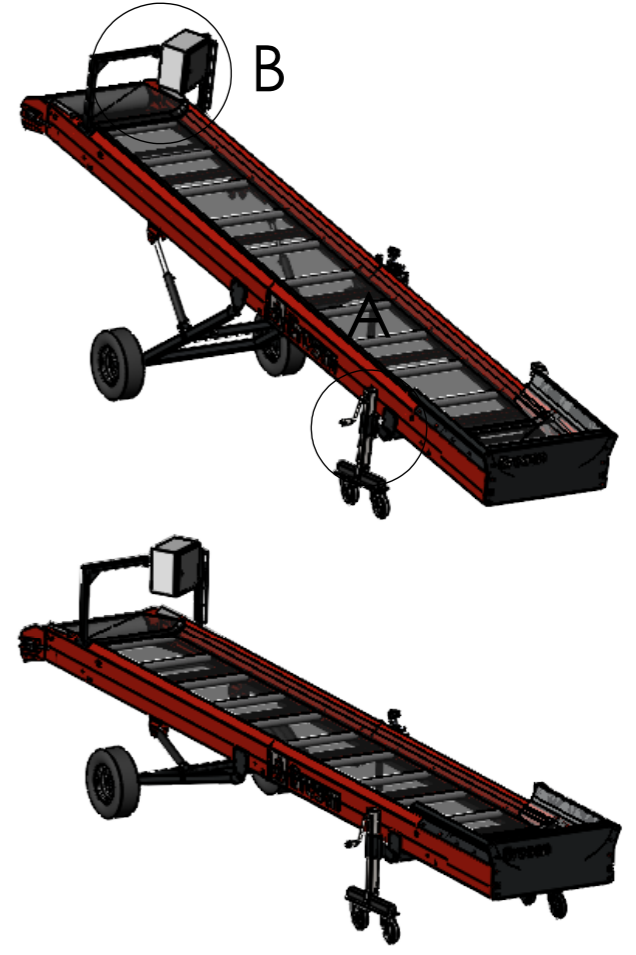


DETAIL A SCALE 1 : 15
DETAIL B SCALE 1 : 15



American projection		SIZE TOLLERANCES ACCORDING TO NEN-ISO 406		DO NOT SCALE DRAWING		
		FORM AND PLATE TOLERANCES ACCORDING TO NEN-ISO 1101		Project V06.80		
		ROUGHNESS ACCORDING TO ISO 1302		Part		
Drafted by	CZ	Signature	Date	Qanity:	10	
Checked by	-			Material:		
TYPE				Finish:		
				Weight	-kg	
					Draw.nr.	A3
					Scale: 1:100	SHEET 1 OF 2